

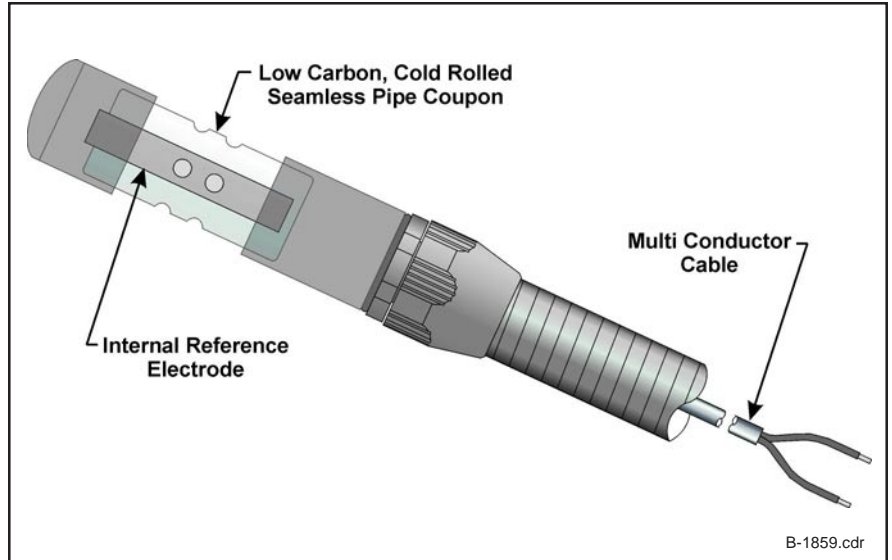


CATHODIC PROTECTION MONITORING PROBE

Model CPMP-2-50 for Underground Soil Service

Features / Benefits

- *Eliminates the need to interrupt external cathodic protection or DC current sources.*
- *Suitable for horizontal or vertical placement.*
- *Connections at the test post are not required to be opened for IR free potential measurement.*
- *IR free potential trends can be chart recorded.*
- *Permanent reference electrode included within probe assembly.*
- *Extremely rugged assembly includes flexible non-metallic conduit for wiring.*
- *Flexible conduit allows for calibration of the integral reference via an electrolytic bridge and probe irrigation in extremely dry soil conditions.*
- *Suitable for installation within most models of new and existing test stations.*
- *50 sq. cm (7.75 sq. in.) coupon surface allows for accurate current density measurements.*



Similar versions of this probe are available for installation with ductile iron water-mains and steel reinforced concrete pipelines.

Description

The CPMP-2-50 model Cathodic Protection Monitoring Probe is used to obtain IR free structure potentials, measurement of polarization decay, and current density. It is suitable for installation on either new or existing buried pipelines as well as aboveground tank structures.

Probe assemblies are installed adjacent to the target structure within excavations made by either traditional or vacuum techniques. The wiring of the probe assembly fits into most standard test station enclosures.

For additional information please contact the office nearest you.

Offices

Halifax Tel: (902) 468-7878
Fax: (902) 468-2187

Montreal Tel: (450) 449-2600
Fax: (450) 449-6353

Sarnia Tel: (519) 336-0740
Fax: (519) 336-5934

TORONTO Tel: (416) 630-2600
Fax: (416) 630-2393

Calgary Tel: (403) 233-2601
Fax: (403) 233-2658

Vancouver Tel: (604) 521-0572
Fax: (604) 521-0910

Dubai, Tel: (971-4) 347-7660
U.A.E. Fax: (971-4) 347-0969